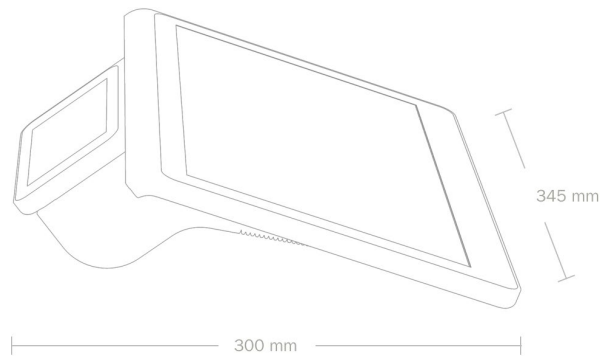


enforeDasher



- 1 Stunningly beautiful yet sturdy
- 2 Tailor-made to run enfore Business Apps
- 3 Built for you – and your customer
- 4 Easy set-up and maintenance free
- 5 Designed to be shared among staff members
- 6 Add other devices instantly

Size



Applications

enforePOS
enforeOffice Manager

Displays

Full HD Merchant Display

14" (diagonal) LED-backlit display with IPS technology; 1920x1080 native resolution

Touchscreen Merchant Display

Capacitive Touchscreen with multi-touch
Anti-Glare and Anti-Fingerprint

5" Customer Display

LED-backlit display with IPS technology; 1280x720 native resolution

High Speed 3" Receipt Printer

3" Seiko Thermal Printer Mechanism
Print Speed: up to 200mm/s
Paper Cutter
Out of Paper Detection

Barcode Scanner

Integrated in Customer Display
Identifies Customer Cards, Giftcards, Vouchers, Coupons and more

Wireless

Wi-Fi

802.11n Wi-Fi wireless networking with 2x2 MiMo technology,
IEEE 802.111 a/b/g/n compatible

Bluetooth

Bluetooth 4.0 wireless technology

Connections

Four USB 2 ports
10/100/1000BASE-T Gigabit Ethernet (RJ-45 connector)
HDMI 1.3 port
Cash Drawer port (RJ-11/RJ-12 connector)

Electrical and Operating Requirements

Line Voltage

100-240V AC

Operating Temperature

0 °C to +45 °C

Storage Temperature

-20 °C to +60 °C

Operating Humidity

5% - 95% (non-condensing)

In the Box

14" enforeDasher
24V Power Adapter 100-200V AC
Power Cord